
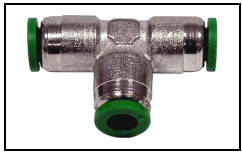


	M 1/8" - 4 mm	Cod. 173-15
	M 1/8" - 6 mm	Cod. 173-194
	M 1/4" - 6 mm	Cod. 173-70
	M 1/4" - 8 mm	Cod. 173-78
	M M5" - 4 mm	Cod. 173-13
	F 1/8" - 6 mm	Cod. 173-151
	F 1/4" - 6 mm	Cod. 173-122

	F 1/4" - 6 mm	Cod. 173-100
	F 1/8" - 6 mm	Cod. 173-397
	F 1/4" - 8 mm	Cod. 173-119
	M 1/8" - 6 mm	Cod. 173-139
	M 1/4" - 6 mm	Cod. 173-398
	M 1/4" - 8 mm	Cod. 173-156

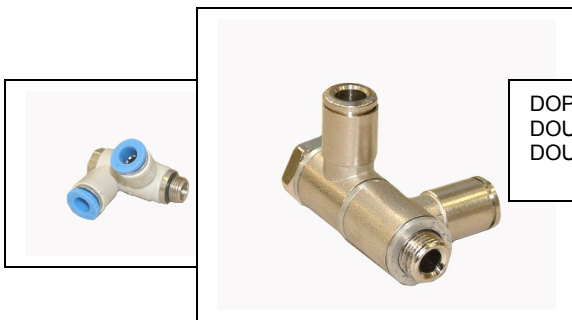
	TEE 4-4-4 mm	Cod. 173-07
	TEE 6-6-6 mm	Cod. 173-134
	TEE 8-8-8 mm	Cod. 173-164

	M 1/8" - 6 mm	Cod. 173-152
	M 1/8" - 8 mm	Cod. 173-168
	M 1/4" - 6 mm	Cod. 173-140
	M 3/8" - 8 mm	Cod. 173-233
	F 1/8" - 6 mm	Cod. 173-137
	F 1/4" - 6 mm	Cod. 173-99

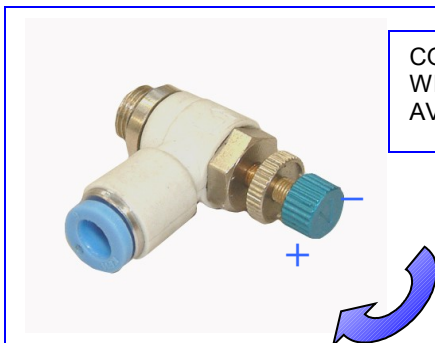
	M 1/8" - 4 mm	Cod. 173-17
	M 1/8" - 6 mm	Cod. 173-16
	M 1/8" - 8 mm	Cod. 173-74
	M 1/4" - 6 mm	Cod. 173-85
	M 1/4" - 8 mm	Cod. 173-79
	M M5" - 4 mm	Cod. 173-30



RIDUZIONE	4 mm / 6 mm	Cod. 173-107
-----------	-------------	--------------



DOPPIO DOUBLE DOUBLE	M 1/8" - 4 mm - 4 mm	Cod. 173-18
	M 1/8" - 6 mm - 6 mm	Cod. 173-58



CON REGOLAZIONE ARIA WITH AIR-REGULATION AVEC REGULATION D'AIR	M 1/8" - 4 mm	Cod. 173-165
	M 1/8" - 6 mm	Cod. 173-207
	M 1/8" - 8 mm	Cod. 173-173
	M 1/4" - 8 mm	Cod. 173-26